

TBI Motion Ballscrews DFS Series



FEATURES

- 15mm to 50mm Screw Diameters
- 5mm to 20mm Leads
- Dynamic Loads to to 5,749 kgf
- Static Loads up to 18,485 kgf
- Available in Right helix
- C7 and C5 Standard Accuracy
- P1 and P0 Standard Preload
- Other Accuracies and Preloads Available Upon Request

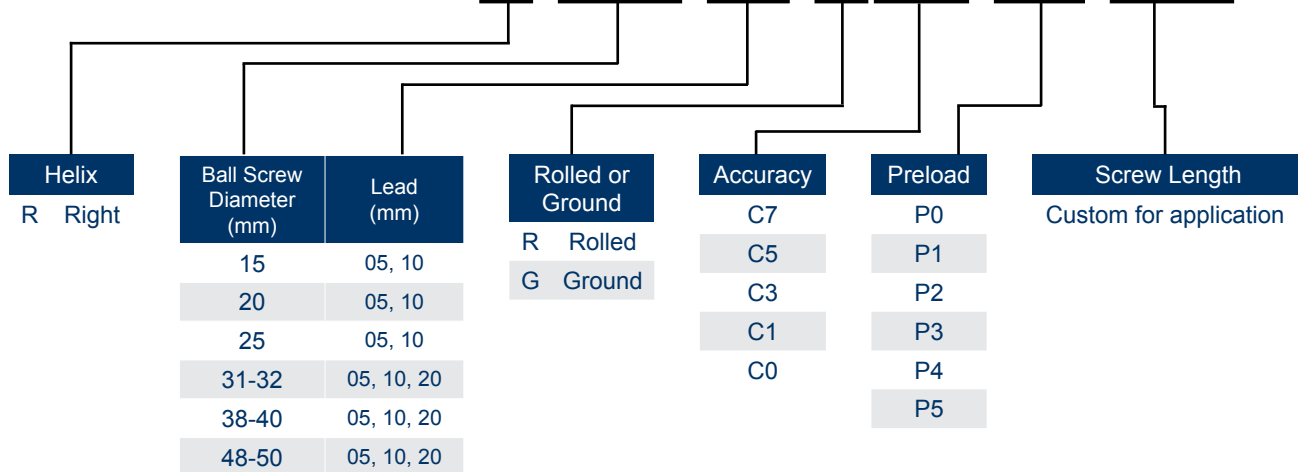


DESCRIPTION

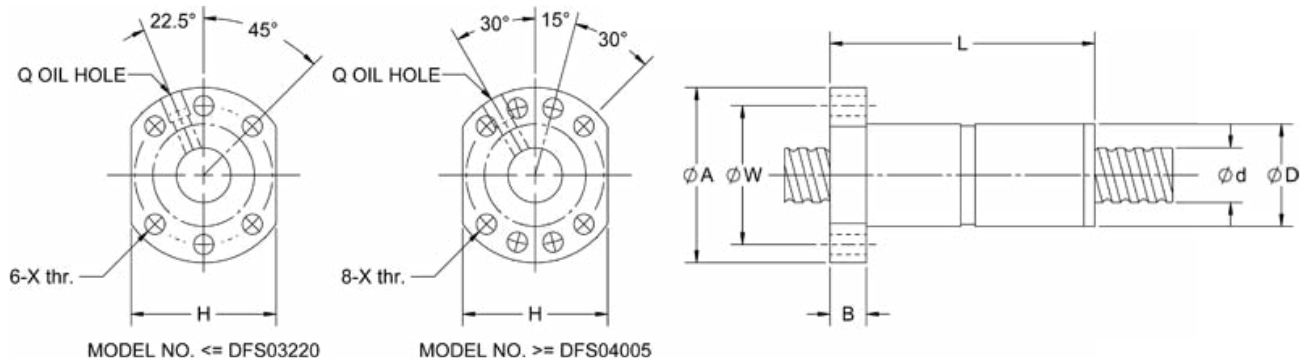
The DFS Series screw has a diameter of 15-50mm with a 5-20mm lead. This assembly provides a dynamic force of 5,749 kgf and a static forces up to 18,485 kgf. The maximum screw length is 6,000mm. The ends of the screw can be customized per your drawing. Please contact Anaheim Automation to discuss your specific requirements.

PART NUMBER LAYOUT

BSC-AAM-DFSR-016-05-RC7-P1-750



L011047



Units are in mm

Model No.	d	l	Da	D	A	B	L	W	H	X	Q	n	Ca	Coa	K	H*	I: Lead Da: Ball Dia. n: Number of Circuits K: Stiffness (kgf) H*: Helix	
																	Ca	Coa
BSC-AAM-DFSR-016-05	15	5	2.778	28	48	10	73	38	40	5.5	M6	3.8x1	1112	2507	41	R		
BSC-AAM-DFSR-016-10	15	10	2.778	28	48	10	97	38	40	5.5	M6	2.8x1	839	1821	31	R		
BSC-AAM-DFSR-020-05	20	5	3.175	36	58	10	75	47	44	6.6	M6	3.8x1	1484	3681	50	R		
BSC-AAM-DFSR-020-10	20	10	3.175	36	58	10	120	47	44	6.6	M6	3.8x1	1516	3833	53	R		
BSC-AAM-DFSR-025-05	25	5	3.175	40	62	10	75	51	48	6.6	M6	3.8x1	1650	4658	59	R		
BSC-AAM-DFSR-032-05	32	5	3.175	50	80	12	82	65	62	9	M6	3.8x1	1839	6026	71	R		
BSC-AAM-DFSR-032-10	31	10	3.969	50	80	13	122	65	62	9	M6	3.8x1	2460	7255	75	R		
BSC-AAM-DFSR-040-05	40	5	3.175	63	93	15	85	78	70	9	M8	3.8x1	2018	7589	83	R		
BSC-AAM-DFSR-040-10	38	10	6.35	63	93	14	123	78	70	9	M8	3.8x1	5035	13943	91	R		
BSC-AAM-DFSR-040-20	38	20	6.35	63	93	14	162	78	70	9	M8	2.8x1	3959	10715	73	R		
BSC-AAM-DFSR-050-05	50	5	3.175	75	110	15	85	93	85	11	M8	3.8x1	2207	9542	96	R		
BSC-AAM-DFSR-050-10	48	10	6.35	75	110	18	138	93	85	11	M8	3.8x1	5638	17852	109	R		
BSC-AAM-DFSR-050-20	48	20	6.35	75	110	18	218	93	85	11	M8	3.8x1	5749	18485	116	R		

Units are in mm

*PLEASE NOTE - Each standard ball screw includes **one** nut. Additional nuts will be considered a custom request, and will require creation of a special part number.